



GENERAL DESCRIPTION

DC ELECTRICAL CHARACTERISTICS(Ta=25°C)

Item	Specification	Unit
Display Type	ETN(Black-White)	-
Viewing Direction	12 o'clock	-
Driver/Control IC	HT1621	-
Outline Dimension	85.4(W)x53.3(H)x 9.1Max(T)	mm
Active Area	57.6(W)x34.5(H)	mm
Dot Size	-	mm
Dot Pitch	-	mm

Item	Symbol	Min.	Type.	Max.	Unit
Supply Voltage	VDD-VSS	3.1	3.3	3.5	V
LCD Drive Voltage	VLCD	3.1	3.3	3.5	V
Supply Current	IDD	-	-	1.5	mA
Input Voltage	VIH	2.4	-	VDD	V
	VIL	0	-	0.6	V
BL Forward Voltage	VF	3.1	3.3	3.5	V
BL Forward Current	IF	-	60	-	mA

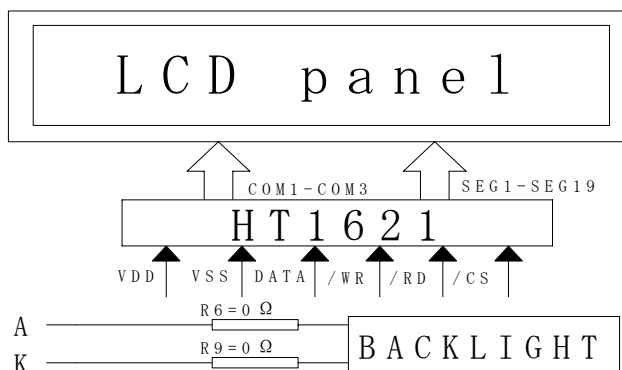
PIN DESCRIPTION

No.	Symbol	I/O	Function
1	VDD	P	Logic Supply Voltage
2	VSS	P	Ground
3	DATA	I	Serial date input or output whit pull-high resistor
4	/WR	I	Write clock into with pull high resistor.
5	/RD	I	Read clock input whth pull-high resistor.
6	/CS	I	Chip selection input with pull high resistor.
7	A	-	Power Supply of LED+.
8	K	-	Power Supply of LED-.

PRODUCT PICTURE



BLOCK DIAGRAM



Mechanical Specification

