



GENERAL DESCRIPTION

Item	Specification	Unit
Display Type	DFSTN(Black-White)	-
Viewing Direction	6 o'clock	-
Driver/Control IC	NT7534H	-
Outline Dimension	66.5(W) × 42(H) × 7.7(T)	mm
Active Area	52.77(W) × 25.57(H)	mm
Dot Size	0.37(W) × 0.37(H)	mm
Dot Pitch	0.40(W) × 0.40(H)	mm

DC ELECTRICAL CHARACTERISTICS(Ta=25°C)

Item	Symbol	Min.	Type.	Max.	Unit
Supply Voltage	VDD-VSS	1.8	3.0	3.6	V
LCD Drive Voltage	VDD-V0	10.8	11.0	11.2	V
Supply Current	IDD	-	0.95	3	mA
Input Voltage	VIH	0.8VDD	-	VDD	V
	VIL	VSS	-	0.2VDD	V
BL Forward Voltage	VF	6.2	6.5	6.8	V
BL Forward Current	IF	-	60	-	mA

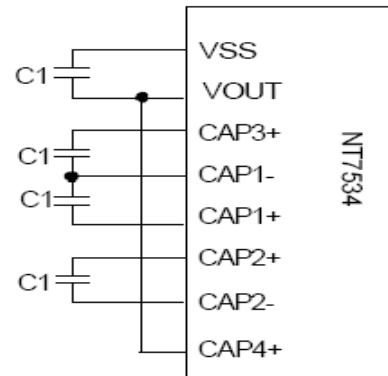
PIN DESCRIPTION

No.	Symbol	I/O	Function
1	/CS1	I	The chip select signal
2	/RES	I	The reset operation signal
3	A0	I	Data&Address select signal
4	/WR	I	Read/write select signal.
5	/RD	I	Operation (data read/write) enable signal.
6~13	D0~D7	I/O	Data bus.
14	VDD	P	Power supply for logic.
15	VSS	P	Ground.
16	VOUT	O	DC/DC voltage converter output.
17	CAP4+	O	DC/DC voltage converter.
18	CAP3+	O	
19	CAP1-	O	
20	CAP1+	O	
21	CAP2+	O	
22	CAP2-	O	LCD driver supply voltages.
23	V1	P	
24	V2	P	
25	V3	P	
26	V4	P	
27	V0	P	
28	C86	I	8080 series or 6800 series select signal
29	P/S	I	Parallel data or Serial data select signal
30	/HPM	I	Power mode select signal

PRODUCT PICTURE



POWER SUPPLY



4x step-up voltage circuit

Mechanical Specification

