



GENERAL DESCRIPTION

| Item | Specification | Unit |
|-------------------|---|------|
| Display Type | FSTN(Black-White) | - |
| Viewing Direction | 6 o'clock | - |
| Driver/Control IC | UC1608 | - |
| Outline Dimension | 50.2(W) \times 44.2(H) \times 4.5Max(T) | mm |
| Active Area | 39.985(W) \times 29.185(H) | mm |
| Dot Size | 0.235(W) \times 0.24(H) | mm |
| Dot Pitch | 0.25(W) \times 0.255(H) | mm |

DC ELECTRICAL CHARACTERISTICS(Ta=25°C)

| Item | Symbol | Min. | Type. | Max. | Unit |
|--------------------|---------|--------|-------|--------|------|
| Supply Voltage | VDD-VSS | 2.7 | 3.0 | 3.3 | V |
| LCD Drive Voltage | VDD-V0 | - | 14.85 | - | V |
| Supply Current | IDD | - | 0.45 | 2 | mA |
| Input Voltage | VIH | 0.8VDD | - | - | V |
| | VIL | - | - | 0.2VDD | V |
| BL Forward Voltage | VF | 3.1 | 3.3 | 3.5 | V |
| BL Forward Current | IF | - | 60 | - | mA |

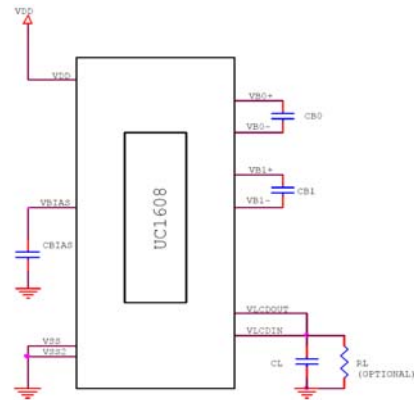
PIN DESCRIPTION

| No. | Symbol | I/O | Function |
|-----|--------|-----|--|
| 1 | CS | I | Chip Select |
| 2 | CD | I | Select Control data or Display data |
| 3 | WR0 | I | WR[1:0]controls the read/write operation of interface. |
| 4 | WR1 | | |
| 5 | D0 | I/O | Bi-directional bus for both serial and parallel host interfaces. In serial modes, connect D[0] to SCK,D[3] to SDA. |
| 6 | D1 | I/O | |
| 7 | D2 | I/O | |
| 8 | D3 | I/O | |
| 9 | D4 | I/O | |
| 10 | D5 | I/O | |
| 11 | D6 | I/O | |
| 12 | D7 | I/O | |
| 13 | VDD | P | Power Supply |
| 14 | VSS | P | Power Supply |
| 15 | VBIAS | I | This is the reference voltage to generate the actual SEG driving voltage. |
| 16 | VLCD | P | Main LCD power supply. |
| 17 | VB0+ | P | LCD Bias voltages. |
| 18 | VB0- | | |
| 19 | VB1+ | | |
| 20 | VB1- | | |

PRODUCT PICTURE



POWER SUPPLY



Mechanical Specification

